



Advantage Flow Technologies

High Efficiency & Durability: Technology at your Service

FEATURES

- Solids handling capacity: up to a diameter of 2"(50.8 mm)
- Impeller: Semi-open double blade cast iron
- General manufacturing gray iron for durability
- 3" flush with female NPT thread type
- 1 HP motor with oil bath, 230 volt, 1 phase, 1750 RPM
- Consumption: 11 amps at full load
- Bearings on auto sized and lubricated for durability
- Cable Connection: SJTW 14 AWG / 3C
- Maximum liquid temperature: 40 ° C (104 ° F)
- Approximate Weight: 77lbs. (35 kgs.)

APLICACIONES

- Transfer, removal, effluent and sewage.
- Decanting of water in industry, construction and agricultural applications.
- Drain pits, trenches and basements with sewage.
- Ideal for handling high flows.
- The best option for coffee processing processes due to its design and type of impeller.

WARRANTY

- 1 year subject to performance under conditions set out in the manual.



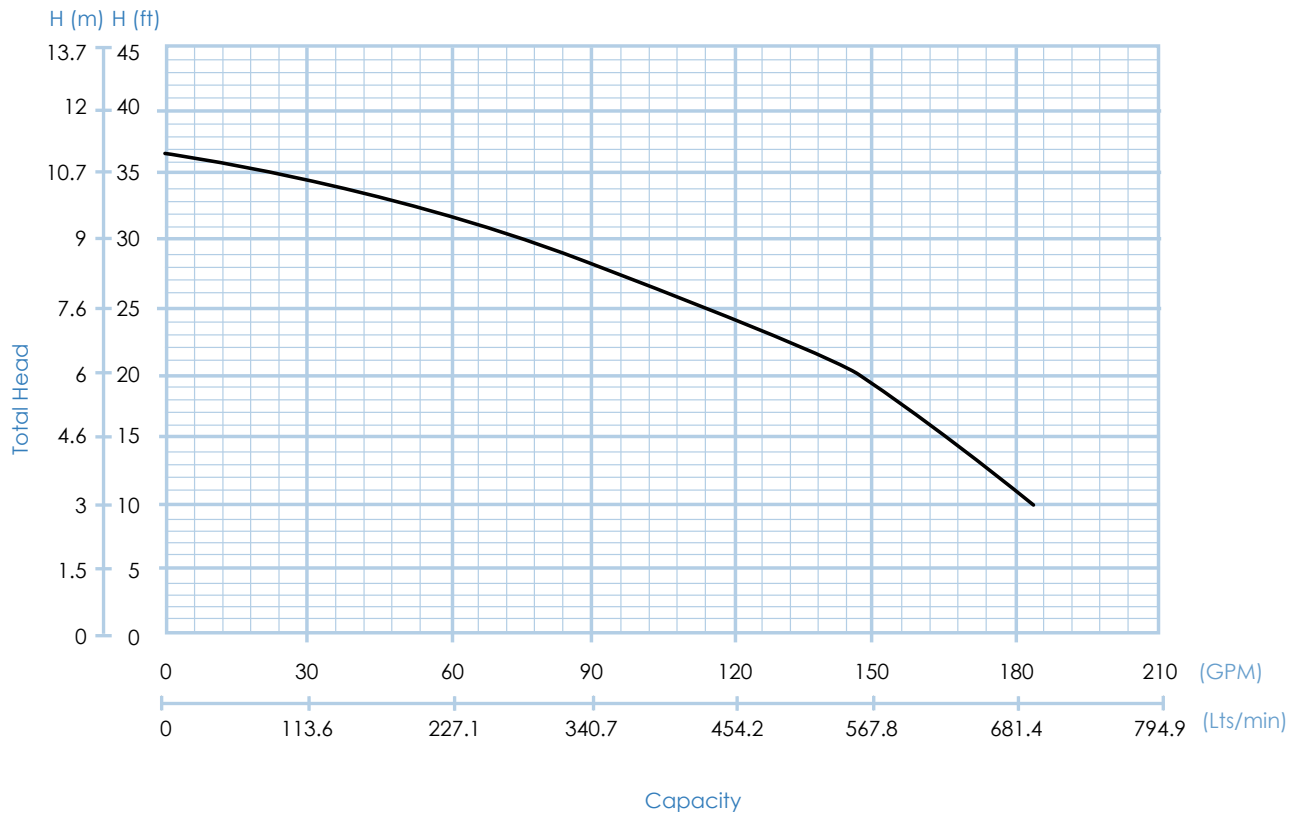
www.aftpumps.com

Submersible sewage pump RHE02-PWS9-M has hydraulic characteristics that make it ideal for transfer and movement of water in commercial, rural and industrial applications and any application pumping water with solid option. Suitable for continuous work, Made entirely of cast iron for durability and optimum performance, hydraulically has a suitable design for the transfer, transfer and washing of grains in agricultural applications.



USA Technology



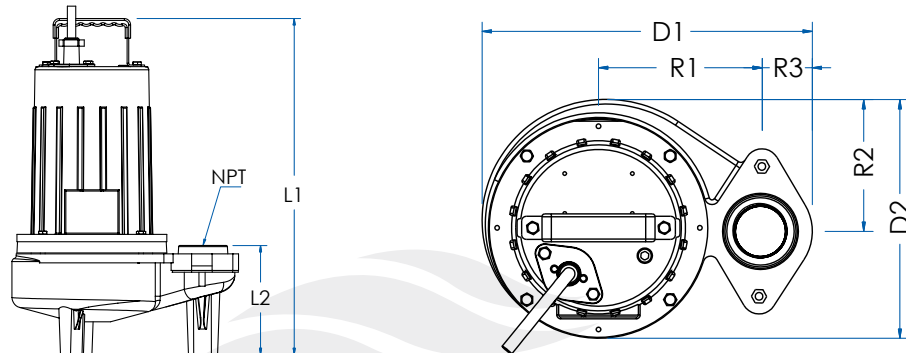


► CAPACITY

AFT Model	Stages	Motor (KW)	Motor (hp)	Voltage (V)	Phases	H (ft)	5	10	15	20	25
RHE02-PWS9-M	1	0.75	1	230	1	GPM	209	191	150	75	0
						LPM	791	723	568	284	0
						H m	2	3	6	9	12

► DIMENSIONS AND WEIGHT

AFT Model	Discharge	L1 (mm-pulg)	L2 (mm-pulg)	D1 (mm-pulg)	D2 (mm-pulg)	R1 (mm-pulg)	R2 (mm-pulg)	R3 (mm-pulg)	Weight (lb-kg)
RHE02-PWS9-M	3" NPT	528 - 20.7	171 - 6.7	357 - 14	257 - 10.1	177 - 6.9	142 - 5.6	54 - 2.1	77 - 35





*Advantage Flow
Technologies*

Material Specifications RHE02-PWS9-M

No.	Quantity	component
1	1	Electric cable
2	2	Screw
3	6	Washer
4	1	Stator assembly
5	4	Screw
6	2	Screw
7	2	Washer
8	1	Flange
9	1	Washer
10	1	Washer
11	1	Scroll

